



# GEOTECHNICAL DRILL RIGS



Introducing the Fraste Geotechnical Lineup available through Rig Source! Proven over 60 years and battle-tested in some of the most difficult drilling environments around the world, these rigs offer unparalleled flexibility and the kind of reliability you expect from a fully hydraulic system. Efficiency comes naturally with features such as a floating spindle design, double rod clamp, long stroke feed options, and rod centering guide rollers. With various head torque and speed combinations, there's guaranteed to be a rig to meet your specific needs:



## MULTIDRILL SL

- » **Tower Height:**  
16.7'
- » **L x W x H (Stowed):**  
16.2' x 4' x 7.5'
- » **Weight:**  
6,613 lbs
- » **Max Head Torque:**  
3,466 ft lb
- » **Max Head Speed:**  
900 rpm
- » **Rotary Head Stroke:**  
5.9 - 9.2 ft

## MULTIDRILL PL-G

- » **Tower Height:**  
22.6'
- » **L x W x H (Stowed):**  
17.9' x 6.6' x 8.7'
- » **Weight:**  
11,023 lbs
- » **Max Head Torque:**  
5,457 ft lb
- » **Max Head Speed:**  
1,000 rpm
- » **Rotary Head Stroke:**  
11.5 ft

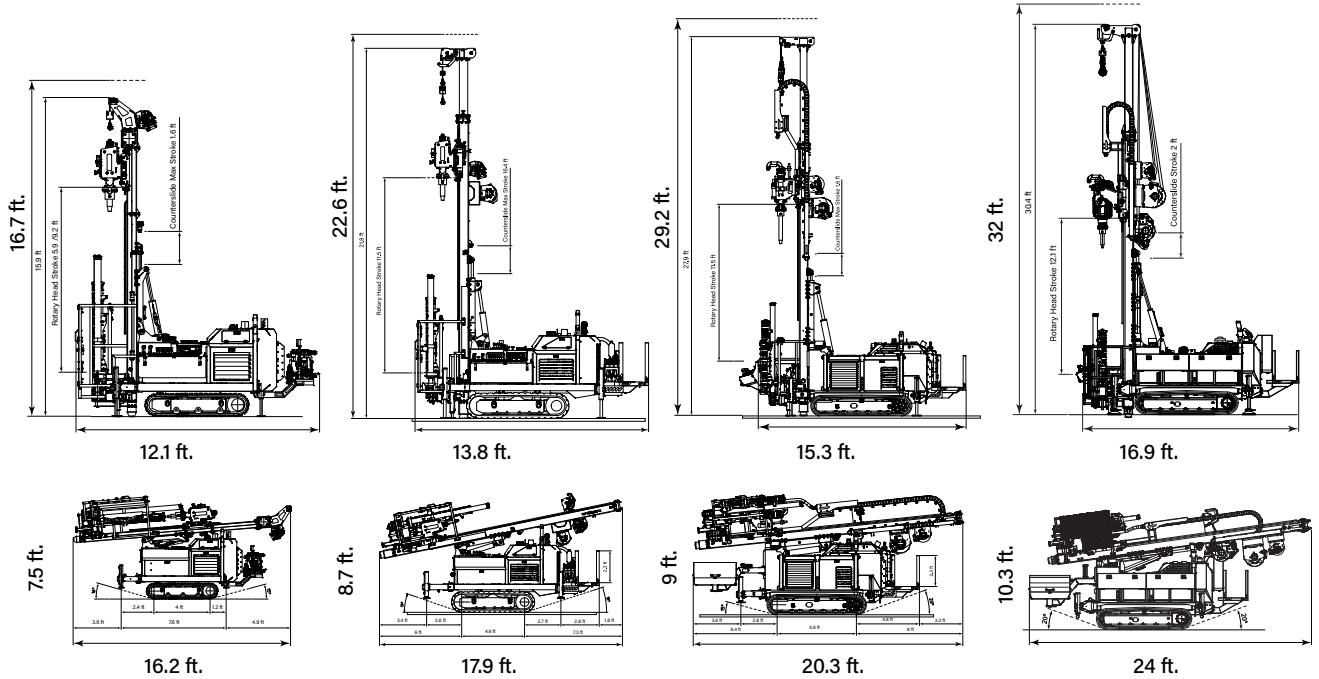
## MULTIDRILL ML

- » **Tower Height:**  
29.2'
- » **L x W x H (Stowed):**  
20.3' x 7.2' x 9'
- » **Weight:**  
16,534 lbs
- » **Max Head Torque:**  
8,703 ft lb
- » **Max Head Speed:**  
1,100 rpm
- » **Rotary Head Stroke:**  
11.5 ft

## MULTIDRILL XL-140

- » **Tower Height:**  
32'
- » **L x W x H (Stowed):**  
24' x 6.6' x 10.3'
- » **Weight:**  
26,455 lbs
- » **Max Head Torque:**  
13,276 ft lb
- » **Max Head Speed:**  
1,000 rpm
- » **Rotary Head Stroke:**  
12.1 ft





### MULTIDRILL SL

### MULTIDRILL PL-G

### MULTIDRILL ML

### MULTIDRILL XL-140

Diesel Engine

CAT C1.7, 48 Hp

CAT C2.2, 74 Hp

CAT C3.6, 120 Hp

CAT C4.4, 148 Hp

Emissions

Stage V, Tier 4F, non-DEF

Stage V, Tier 4F, non-DEF

Stage V, Tier 4F

Stage V, Tier 4F

Rotary Head Stroke

5.9 - 9.2 ft

11.5 ft

11.5 ft

12.1 ft

Pull-up

5,620 lbf

8,992 lbf

13,488 lbf

22,480 lbf

Pull-down

5,620 lbf

8,992 lbf

6,969 lbf

15,287 lbf

Max Head Torque

3,466 ft lb

5,457 ft lb

8,703 ft lb

13,276 ft lb

Max Head Speed

900 rpm

1,000 rpm

1,100 rpm

1,000 rpm

Clamp Diameter

1.9 - 8.3 in

1.6 - 9.9 in

1.6 - 10 in

2.3 - 14 in

Weight

6,613 lbs

11,023 lbs

16,534 lbs

26,455 lbs

