



FRASTE MULTIDRILL ML

Geotechnical Drill Rig

With an 11.5' stroke, and up to 7,375 ft lb of torque, the ML is a geotechnical powerhouse that is well known by drillers worldwide. As versatile as it is powerful, the ML is an excellent choice for rotary, DTH hammer, augers, conventional and wireline coring, geotechnical, environmental drilling, and more. Modular in design, the ML can be further adapted and customized to meet more specific needs.

QUICK SPECS:

- » Diesel Engine: CAT C3.6, 120 Hp
- » Emissions: Stage V, Tier 4F
- » Rotary Head Stroke: 11.5 ft
- » Pull-up: 13,488 lbf
- » Pull-down: 6,969 lbf
- » Max Rotary Head Torque: 7,375 ft lb
- » Max Rotary Head Speed: 950 rpm
- » Clamp Diameter: 1.6 - 10 in
- » Weight: 16,534 lbs
- » Tower Height: 29.2'
- » L x W x H (Stowed): 20.3' x 7.2' x 9'





Fraste Multidrill ML Specs:

Hydraulic Rotary Head Options

	1 st speed		2 nd speed		3 rd speed		4 th speed	
	ft/lb	rpm	ft/lb	rpm	ft/lb	rpm	ft/lb	rpm
option 1	331	950	663	475	1475	210	2950	105
option 2*	516	660	1032	330	2360	144	4720	72
option 3	663	530	1327	265	3000	116	5990	58
option 4	811	410	1622	205	3687	90	7375	45

*standard configuration

Power Source

Diesel Engine: CAT C3.6, 120 Hp
Emissions: Stage V, Tier 4F

Mast

Rotary head stroke: 11.5 ft
Pull-up: 13,488 lbf
Pull-down: 6,970 lbf

Clamp Diameter: 1.6 - 10 in

Weight & Dimensions

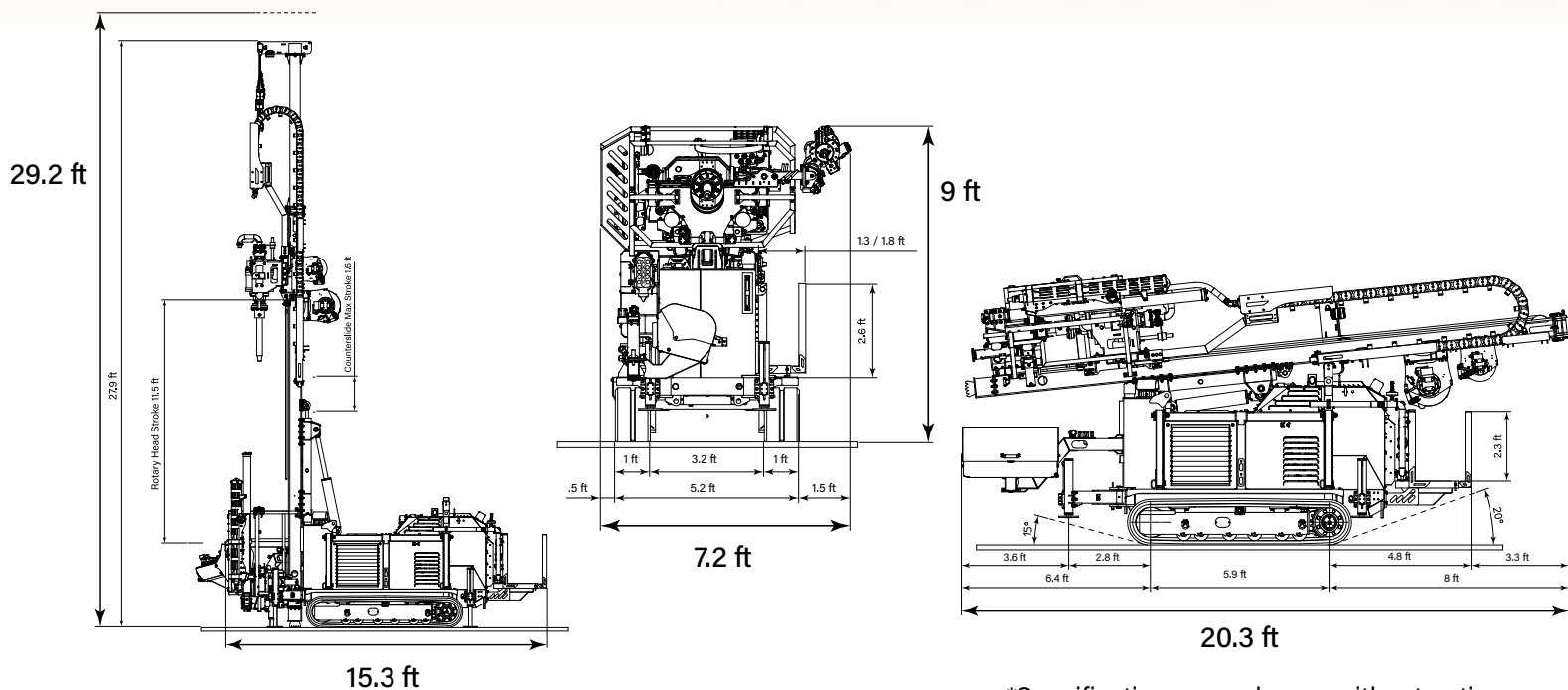
Weight: 16,534 lbs
Tower Height: 29.2'
L x W x H (Stowed, ft): 20.3' x 7.2' x 9'

Standard Features

Main Winch: 4,500 lbf, 180 ft/min
Wire Line Winch: 2,250 lbf, 330 ft/min
3L6 Progressive Cavity Pump: 47 gpm 225 psi
Hydraulic SPT Device: 30", 140 lbf
Hydraulic Percussion Hammer for Direct Push Sampling
Mast Extension
Hydraulic Air Valve
Radio Remote Control

Optional Equipment

Screw Pump: 159 gpm, 174 psi
Foam Pump: 9 gpm, 550 psi
Line Lubricator: 2.25 gpm



*Specifications may change without notice.



rigsourceinc.com | info@rigsourceinc.com | 630.365.1649