



MULTIDRILL

PL-G

Geotechnical Drill Rig

The PL-G series is specifically designed for the rigors of geotechnical drilling applications, offering specialized features to optimize performance in the field. Within a compact footprint, the PL-G is well equipped with up to an 11.5' stroke and 4,204 ft lb of torque. Modular in design, the PL-G can be infinitely customized to meet very specific needs.

QUICK SPECS:

- » Diesel Engine: CAT C2.2, 74 Hp
- » Emissions: Stage V, Tier 4F, non-DEF
- » Rotary Head Stroke: 11.5 ft
- » Pull-up: 8,992 lbf
- » Pull-down: 8,992 lbf
- » Max Rotary Head Torque: 4,204 ft lb
- » Max Rotary Head Speed: 1,000 rpm
- » Clamp Diameter: 1.6 - 9.9 in
- » Weight: 11,023 lbs
- » Tower Height: 22.6'
- » L x W x H (Stowed): 17.9' x 6.6' x 8.7'





Fraste Multidrill PL-G Specs:

Hydraulic Rotary Head Options

	1 st speed		2 nd speed		3 rd speed		4 th speed	
	ft/lb	rpm	ft/lb	rpm	ft/lb	rpm	ft/lb	rpm
option 1	206	1000	413	500	848	230	1696	115
option 2	258	800	516	400	1032	200	2065	100
option 3	302	680	605	340	1291	160	2581	80
option 4	406	500	811	250	1660	120	3319	60
option 5*	516	400	1033	200	2065	100	4204	50

*standard configuration

Power Source

Diesel Engine: CAT C2.2, 74 Hp

Emissions: Stage V, Tier 4F, non-DEF

Mast

Rotary head stroke: 11.5 ft

Pull-up: 8,992 lbf

Pull-down: 8,992 lbf

Clamp Diameter: 1.6 - 9.9 in

Weight & Dimensions

Weight: 11,023 lbs

Tower Height: 22.6'

L x W x H (Stowed, ft): 17.9' x 6.6' x 8.7'

Standard Features

Main Winch: 2,250 lbf, 165 ft/min

Wire Line Winch: 2,800 lbf, 360 ft/min

Triplex Pump: 40 gpm, 435 psi

Hydraulic SPT Device: 30", 140 lbf

Hydraulic Percussion Hammer for Direct Push Sampling

Remote Radio Control

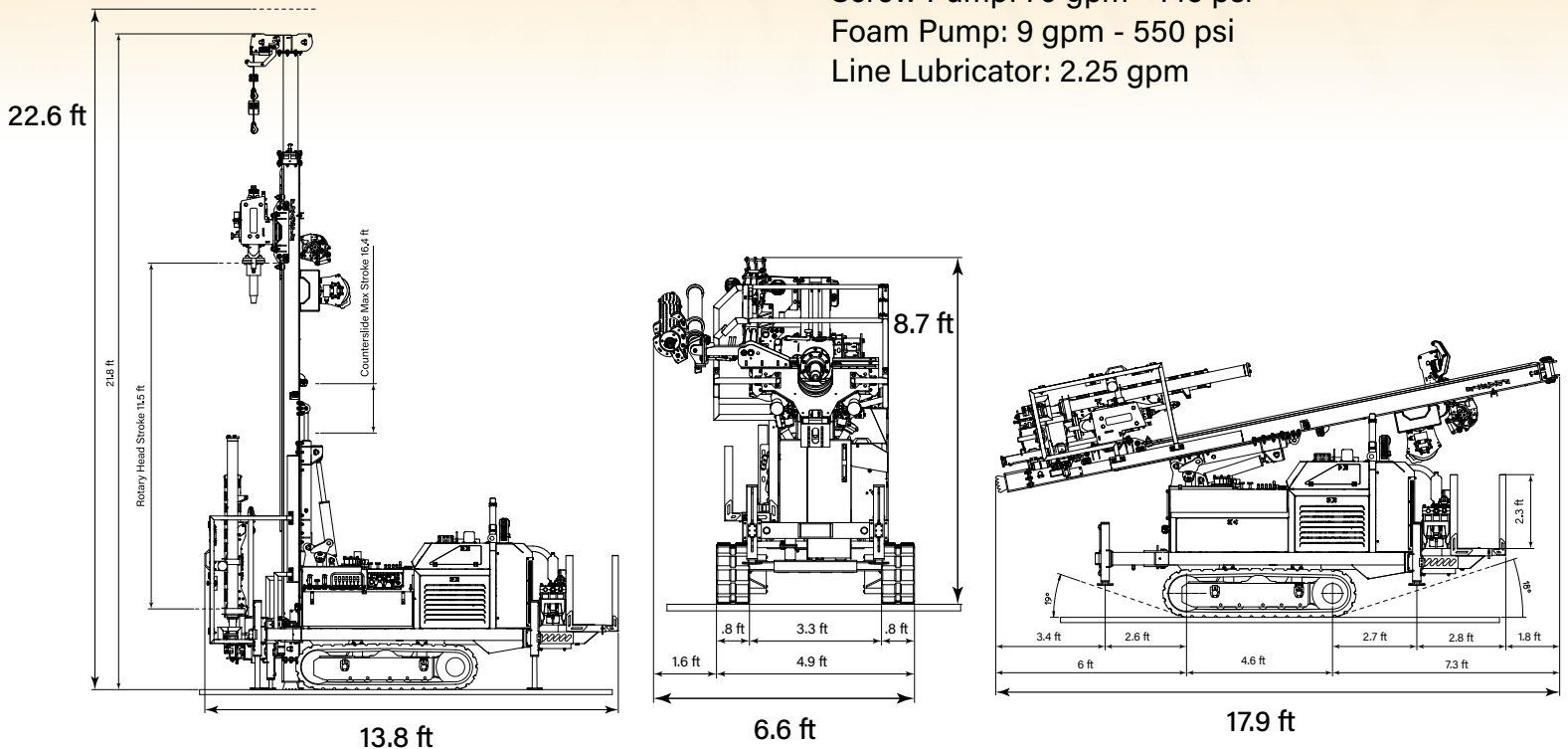
Hydraulic Air Valve

Optional Equipment

Screw Pump: 79 gpm - 145 psi

Foam Pump: 9 gpm - 550 psi

Line Lubricator: 2.25 gpm



*Specifications may change without notice.



rigsourceinc.com | info@rigsourceinc.com | 630.365.1649