



# FRASTE MULTIDRILL XL-140

## Geotechnical Drill Rig

Fraste's most popular Multidrill model, the XL-140 is all about having the power to go deep. Powered by a 148hp CAT engine, the XL-140 gives drillers over 11,000 ft lb of torque - plenty of power to get you through the most challenging conditions. More importantly, the XL-140 is all about flexibility. With power to spare, the XL-140 handles large diameter drilling with ease - opening up entirely new possibilities for drillers.

### QUICK SPECS:

- » Diesel Engine: CAT C4.4, 148 Hp
- » Emissions: Stage V, Tier 4F
- » Rotary Head Stroke: 12.1 ft
- » Pull-up: 22,480 lbf
- » Pull-down: 15,287 lbf
- » Max Rotary Head Torque: 11,506 ft lb
- » Max Rotary Head Speed: 910 rpm
- » Clamp Diameter: 2.3 - 14 in
- » Weight: 26,455 lbs
- » Tower Height: 32'
- » L x W x H (Stowed): 24' x 6.6' x 10.3'





## Fraste Multidrill XL-140 Specs:

### Hydraulic Rotary Head Options

		1 <sup>st</sup> speed		2 <sup>nd</sup> speed		3 <sup>rd</sup> speed		4 <sup>th</sup> speed	
		ft/lb	rpm	ft/lb	rpm	ft/lb	rpm	ft/lb	rpm
option 1 high torque	High speed 320cc	774	640	1549	320	3872	130	7744	65
	Low speed 480cc	1180	430	2360	215	5753	86	11506	43
option 2 high speed	High speed 229cc	561	910	1121	455	2766	180	5532	90
	Low speed 344cc	841	600	1682	300	4130	120	8261	60

### Power Source

Diesel Engine: CAT C4.4, 148 Hp

Emissions: Stage V, Tier 4F

### Mast

Rotary head stroke: 12.1 ft

Pull-up: 22,480 lbf

Pull-down: 15,287 lbf

Clamp Diameter: 2.3 - 14 in

### Weight & Dimensions

Weight: 26,455 lbs

Tower Height: 32'

L x W x H (Stowed, ft): 24' x 6.6' x 10.3'

### Standard Features

Main Winch: 11,000 lbf, 115 ft/min

Tool Winch: 4,500 lbf, 180 ft/min

Wire Line Winch: 1,350 lbf, 425 ft/min

3L8 Progressive Cavity Pump: 100 gpm, 225 psi

Triplex Pump: 43 gpm, 1,015 psi

Hydraulic SPT Device: 30", 140 lbf

Radio Remote Control

Hydraulic Air Valve

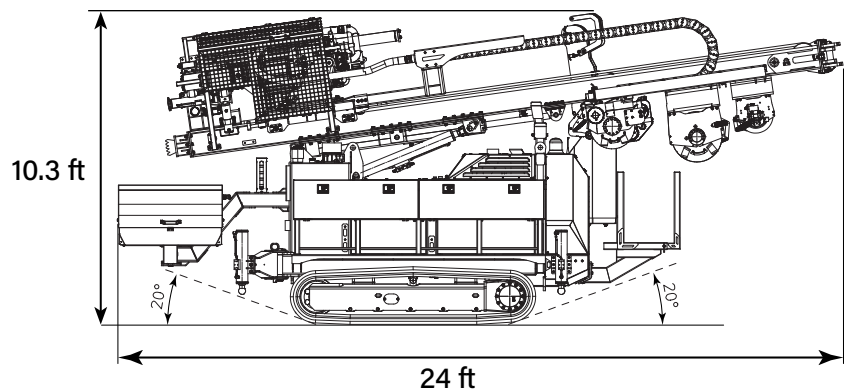
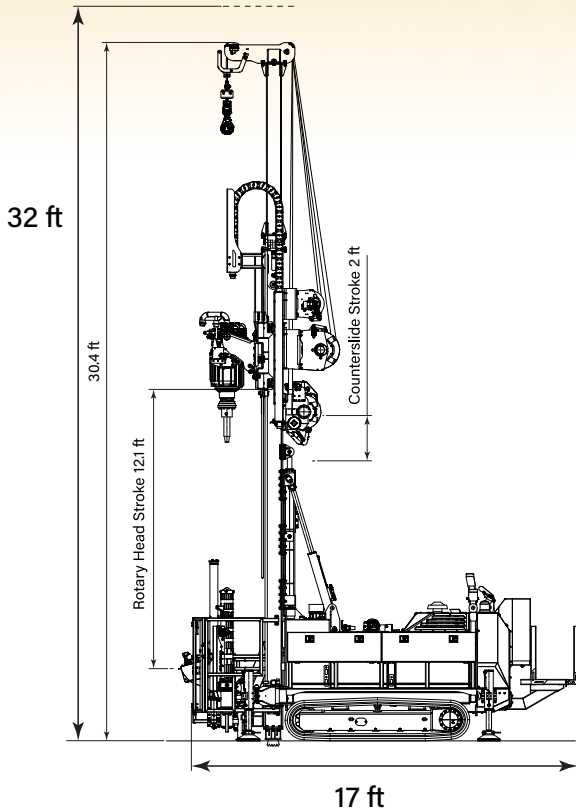
Mast Extension

### Optional Equipment

Screw Pump: 159 gpm, 174 psi

Foam Pump: 9 gpm, 550 psi

Line Lubricator: 2.25 gpm



\*Specifications may change without notice.

